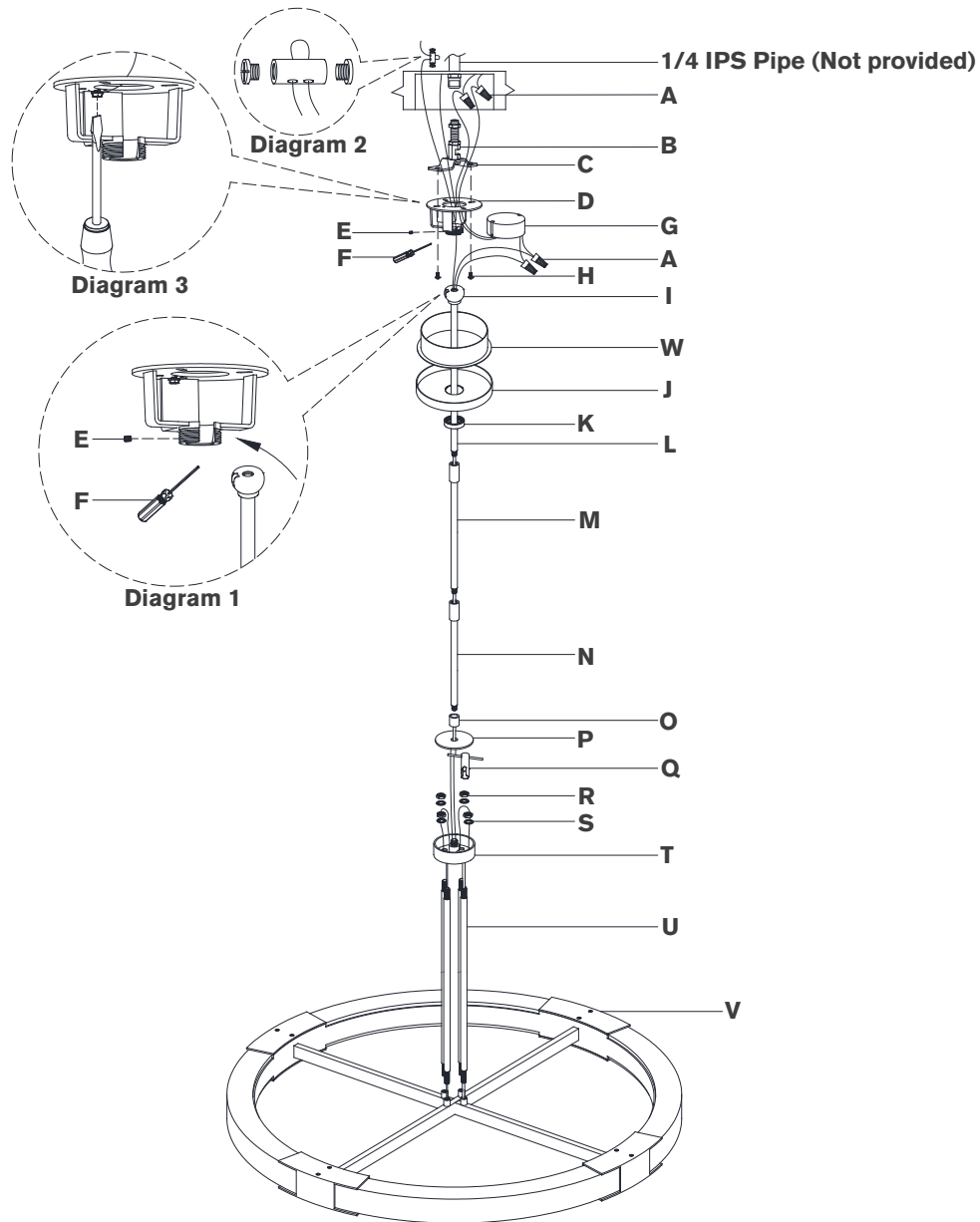


ASSEMBLY INSTRUCTIONS

Option 1: Canopy Mounted Driver



Covet Large Ring Chandelier

Item # KW 5140

NOTICE:

This light fixture should be installed in accordance with all applicable, local installation codes, and by a person familiar with the construction and operation of it, as well as the hazards involved. Inspect item and contents carefully. If any damage or defect is found, do not install. Retain all packaging material until installation is complete and approved.

TOOLS REQUIRED (NOT INCLUDED):

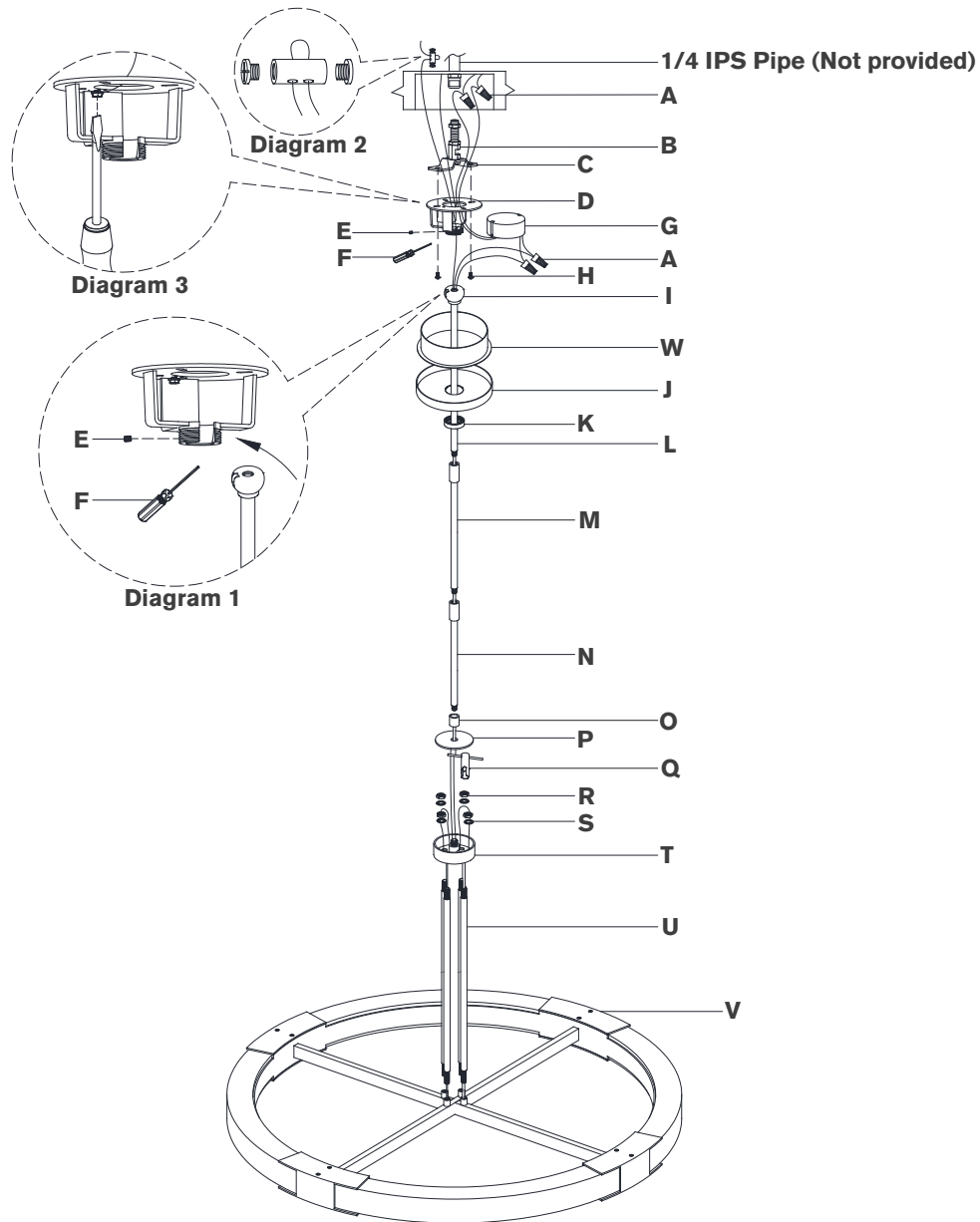
Phillips Screwdriver	Slotted Screwdriver	Wire Cutters
Wire Strippers	Slip-joint pliers	

PERSONS REQUIRED: Two

1. Carefully remove all parts from the box. Place on a clean, soft surface.
2. Remove mounting plate (D) from driver housing (W) and canopy (J) by removing collar ring (K).
3. Remove mounting bracket (C) from mounting plate (D) by removing screws (H).
4. Remove hickey (B) from mounting bracket (C) by removing hex nut.
5. It is recommended to install a 1/4 IPS threaded pipe, secured to a structural member of the building (not included). Then install hickey (B) into threaded pipe and tighten with wrench.
NOTE: Item must be supported independent of the junction box due to hanging weight.
6. Install threaded nipple to hickey (B), then install mounting bracket (C) to threaded nipple by tightening locknut.
7. Install mounting plate (D) to mounting bracket (C) and secure with screws (H).
8. Thread rods (U) to fixture body (V).
9. Let rods (U) pass through hub (T) and secure with washers (S) and hex nuts (R) using provided wrench (Q).
10. Install metal cap (P) to hub (T) and secure with connector (O).

ASSEMBLY INSTRUCTIONS

Option 1: Canopy Mounted Driver



Covet Large Ring Chandelier

Item # KW 5140

NOTICE:

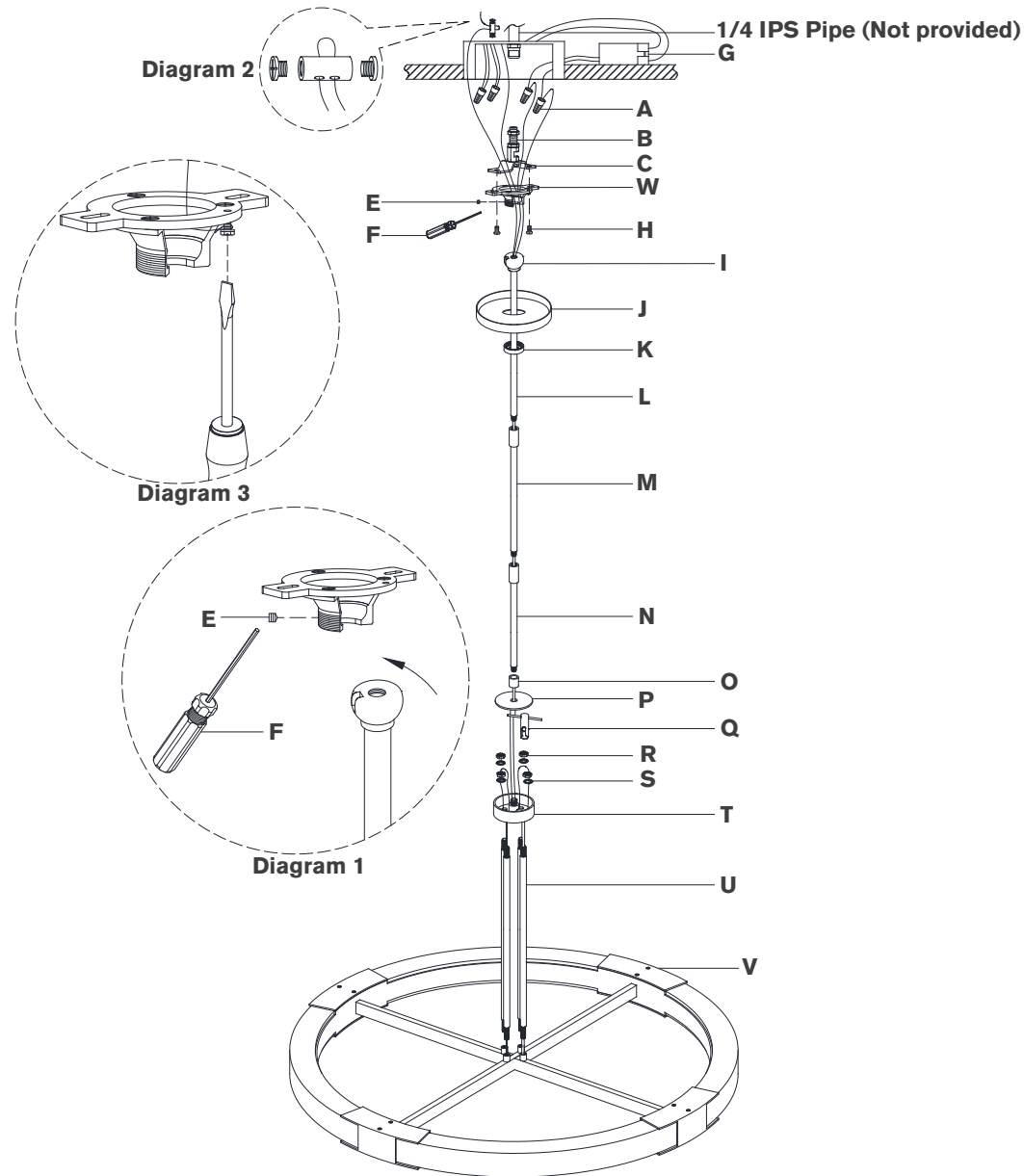
This light fixture should be installed in accordance with all applicable, local installation codes, and by a person familiar with the construction and operation of it, as well as the hazards involved. Inspect item and contents carefully. If any damage or defect is found, do not install. Retain all packaging material until installation is complete and approved.

19. Connect fixture hot wire (red) to driver (G) output wire (red) using wire nut (A).
- CAUTION:** Do not reverse the hot and neutral connections.
20. Connect driver (G) input neutral wire (white) to the supply neutral wire (usually white) using wire nut (A).
21. Connect driver (G) input hot wire (black) to the supply hot wire (usually black) using wire nut (A).
- CAUTION:** Do not reverse the hot and neutral connections.
22. Make sure all wire connections are tight, then carefully tuck into the junction box.
23. Insert driver (G) into center of mounting plate (D).
24. Install driver housing (W) and canopy (J) to mounting plate (D) and secure with collar ring (K).

Care Instructions: Clean only with a soft dry cloth or feather duster. Do not use abrasive or chemical agents.

ASSEMBLY INSTRUCTIONS

Option 2: Ceiling Mounted Driver



Covet Large Ring Chandelier

Item # KW 5140

NOTICE:

This light fixture should be installed in accordance with all applicable, local installation codes, and by a person familiar with the construction and operation of it, as well as the hazards involved. Inspect item and contents carefully. If any damage or defect is found, do not install. Retain all packaging material until installation is complete and approved.

TOOLS REQUIRED (NOT INCLUDED):

Phillips Screwdriver	Slotted Screwdriver	Wire Cutters
Wire Strippers	Slip-joint pliers	

PERSONS REQUIRED: Two

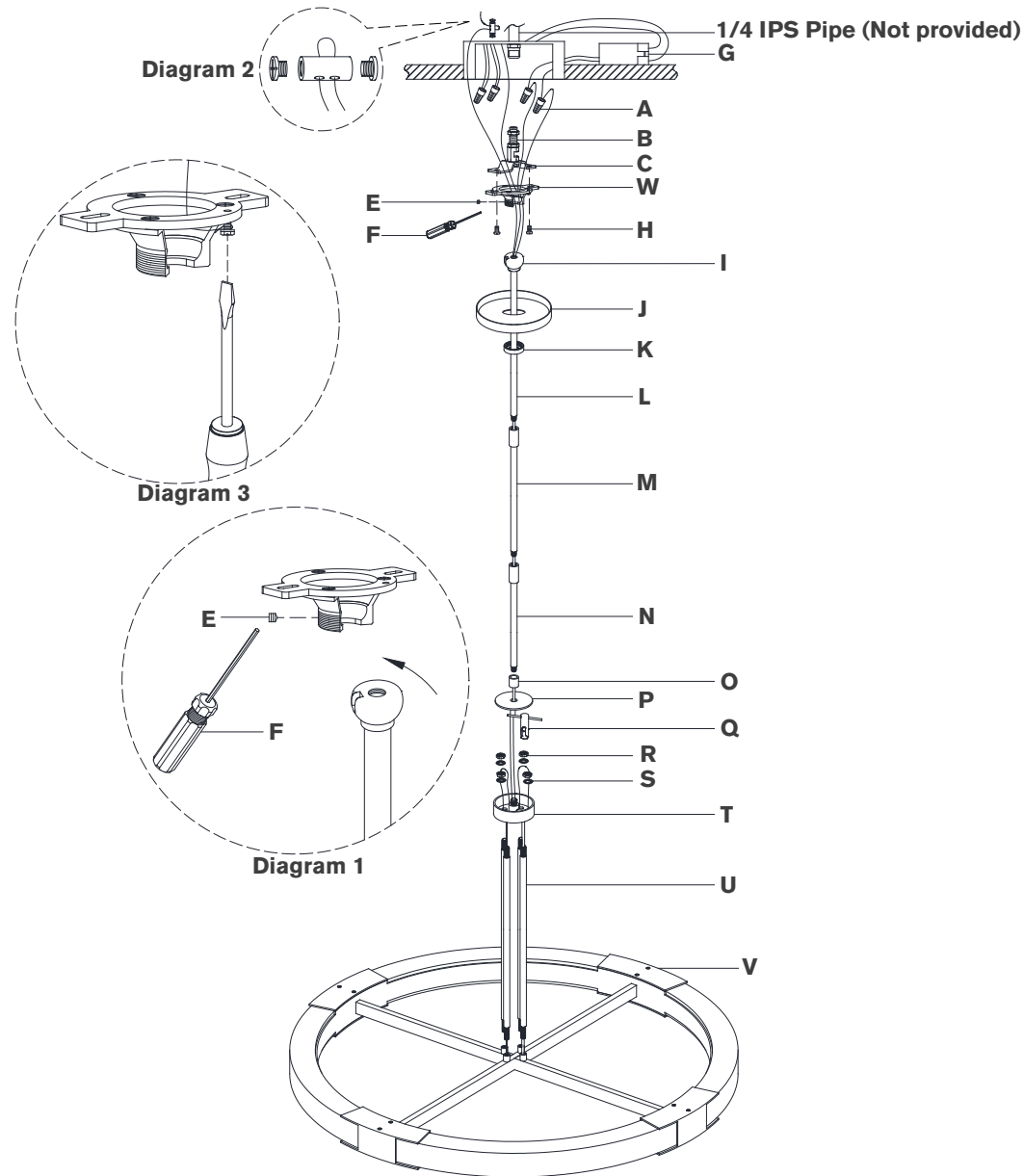
1. Carefully remove all parts from the box. Place on a clean, soft surface.
2. Place driver (**G**) into ceiling and route all wires through one of the knockouts in the junction box.
3. Remove mounting plate (**D**) from driver housing (**W**) and canopy (**J**) by removing collar ring (**K**).
NOTE: Driver housing (**W**) will not be used for ceiling mounted assembly. Keep part and store for future use.
4. Remove mounting bracket (**C**) from mounting plate (**D**) by removing screws (**H**).
5. Remove hickey (**B**) from mounting bracket (**C**) by removing hex nut.
6. It is recommended to install a 1/4 IPS threaded pipe, secured to a structural member of the building (not included). Then install hickey (**B**) into threaded pipe and tighten with wrench.
NOTE: Item must be supported independent of the junction box due to hanging weight.
7. Install threaded nipple to hickey (**B**), then install mounting bracket (**C**) to threaded nipple by tightening locknut.
8. Install mounting plate (**W**) to mounting bracket (**C**) and secure with screws (**H**).
9. Thread rods (**U**) to fixture body (**V**).

VISUAL COMFORT



ASSEMBLY INSTRUCTIONS

Option 2: Ceiling Mounted Driver



Covet Large Ring Chandelier

Item # KW 5140

NOTICE:

This light fixture should be installed in accordance with all applicable, local installation codes, and by a person familiar with the construction and operation of it, as well as the hazards involved. Inspect item and contents carefully. If any damage or defect is found, do not install. Retain all packaging material until installation is complete and approved.

20. Connect fixture hot wire (red) to driver (G) output wire (red) using wire nut (A).
- CAUTION:** Do not reverse the hot and neutral connections.
21. Connect driver (G) input neutral wire (white) to the supply neutral wire (usually white) using wire nut (A).
22. Connect driver (G) input hot wire (black) to the supply hot wire (usually black) using wire nut (A).
- CAUTION:** Do not reverse the hot and neutral connections.
23. Make sure all wire connections are tight, then carefully tuck into the junction box.
24. Install canopy (J) to mounting plate (W) and secure with collar ring (K).

Care Instructions: Clean only with a soft dry cloth or feather duster. Do not use abrasive or chemical agents.

VISUAL COMFORT

