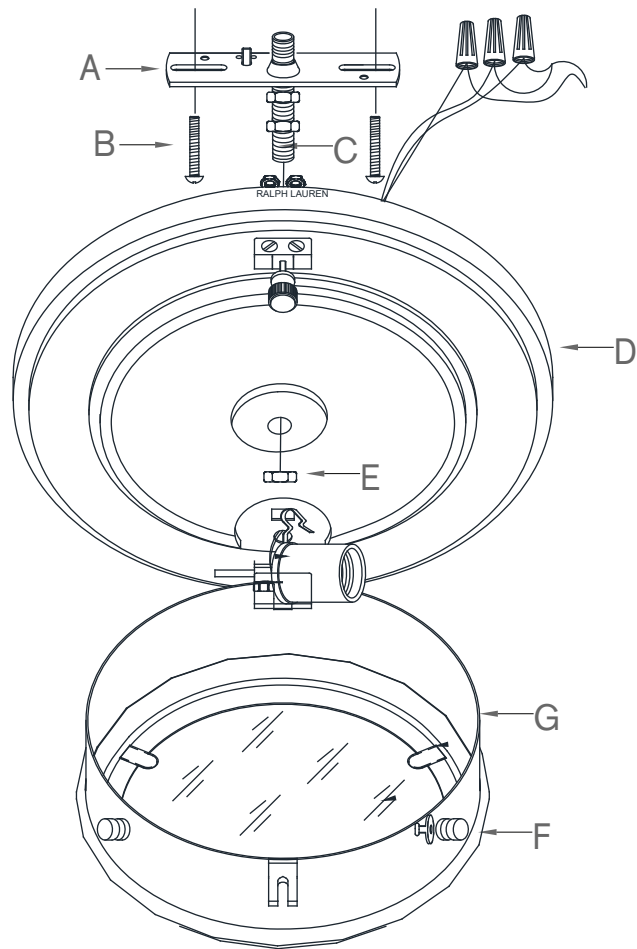


ASSEMBLY INSTRUCTIONS



Marine Porthole Small Flush Mount

Item # RL19026

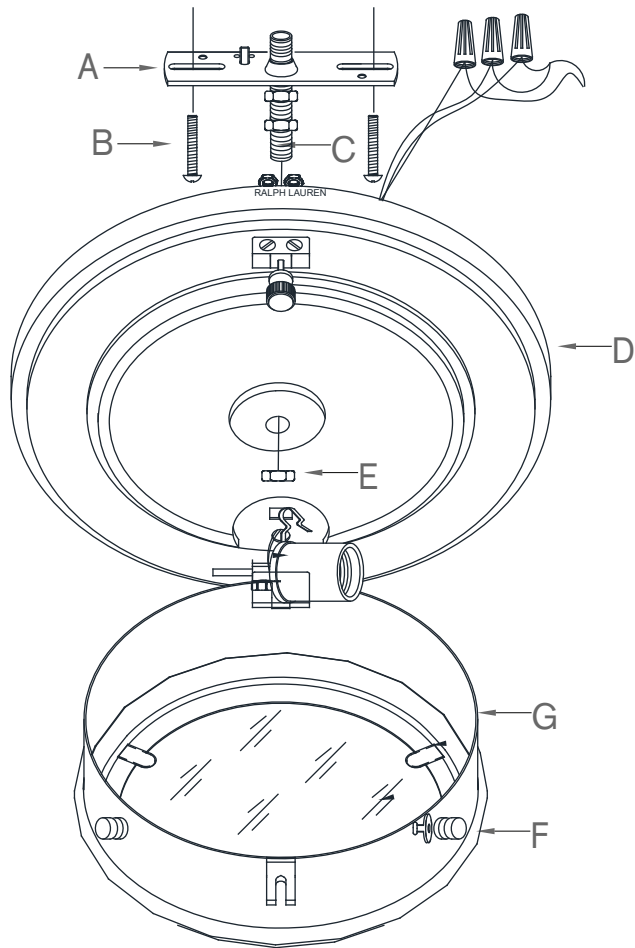
NOTICE:

This light fixture should be installed in accordance with all applicable, local installation codes, and by a person familiar with the construction and operation of it, as well as the hazards involved. Inspect item and contents carefully. If any damage or defect is found, do not install. Retain all packaging material until installation is complete and approved.

1. Carefully remove all parts from the box. Place on a clean, soft surface.
2. Open the lantern box (G) from canopy base (D) by loosening the set bolt (F).
3. Remove mounting strap (A) with nipple (C) from canopy base (D) by unscrewing hex nut (E) and set aside.
4. Place mounting strap (A) with nipple (C) to ceiling outlet box with mounting screws (B).
5. Attach ground (green or green/yellow) wire to ground wire from ceiling outlet box (usually green or copper in color), fasten together with a plastic wire connector. Tightly wrap the wire connector with electrical tape, so the end of the connector is sealed.
IT IS IMPERATIVE THAT THE OUTLET BOX IN YOUR HOME BE PROPERLY GROUNDED.
6. Connect neutral (white) fixture wire coming from fixture base to neutral (usually white) outlet wire. Fasten both wires together with a plastic wire connector and tightly wrap the wire connector with electrical tape.
7. Repeat the procedure with the hot (black) wires. Always make sure that no wire strands are left outside the connectors.
DO NOT REVERSE THE HOT AND NEUTRAL CONNECTIONS OTHERWISE SAFETY WILL BE COMPROMISED.

RALPH LAUREN

ASSEMBLY INSTRUCTIONS



Marine Porthole Small Flush Mount

Item # RL19026

NOTICE:

This light fixture should be installed in accordance with all applicable, local installation codes, and by a person familiar with the construction and operation of it, as well as the hazards involved. Inspect item and contents carefully. If any damage or defect is found, do not install. Retain all packaging material until installation is complete and approved.

8. Attach canopy base (D) to mounting strap (A), letting nipple (C) pass through the center hole of canopy base (D) and secure with hex nut (E). Tighten with a wrench.
9. Insert light bulb into the lampholder.
10. Close the lantern box (G) to the canopy base (D) and secure by tightening set bolt (F).

Care Instructions: Clean only with a soft dry cloth or feather duster. Do not use abrasive or chemical agents.

RALPH LAUREN