

ASSEMBLY INSTRUCTIONS

Paxton 54" Oval Linear Chandelier

Item # RL5678

NOTICE:

This light fixture should be installed in accordance with all applicable, local installation codes, and by a person familiar with the construction and operation of it, as well as the hazards involved. Inspect item and contents carefully. If any damage or defect is found, do not install. Retain all packaging material until installation is complete and approved.

TOOLS REQUIRED (NOT INCLUDED):

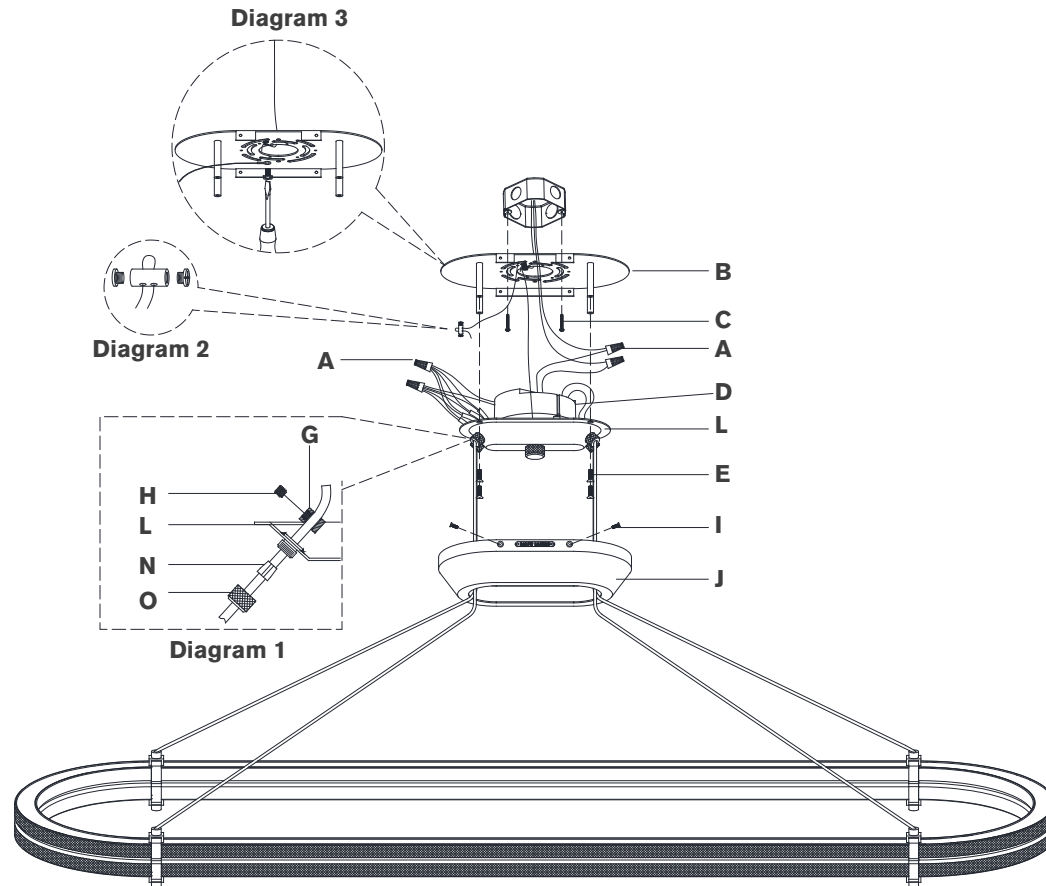
Phillips Screwdriver

Slotted Screwdriver

Wire Cutters

Wire Strippers

Measuring Tape



1. Carefully remove all parts from the box. Place on a clean, soft surface.
2. Remove canopy (**J**) from mounting plate (**B**) by removing screws (**I**).
3. Remove mounting plate (**B**) from canopy bracket (**L**) by removing screws (**E**).
4. Install mounting plate (**B**) to the junction box and secure with mounting screws (**C**).
5. Gently set fixture on a flat, non-abrasive surface to adjust fixture hanging wires.
6. Unscrew cap nuts (**O**) from canopy bracket (**L**), then feed hanging cables through canopy (**J**), cap nuts (**O**), stoppers (**N**) and canopy bracket (**L**).
7. Loosen set screw (**H**) on cable lock (**G**) and install to end of hanging cables. Insert other end of cables through the cable lock and adjust to desired length. Once complete re-secure set screw (**H**) and repeat steps with the remaining wires. (See diagram 1)
8. After fixture height is achieved shorten the wires by using a pair of cutters (not included), leaving 8" of wire length to connect to the driver (**D**).

NOTE: Final leveling in later step will only allow for small adjustments. Make sure fixture height and fixture level are accurate before cutting wires.

RALPH LAUREN



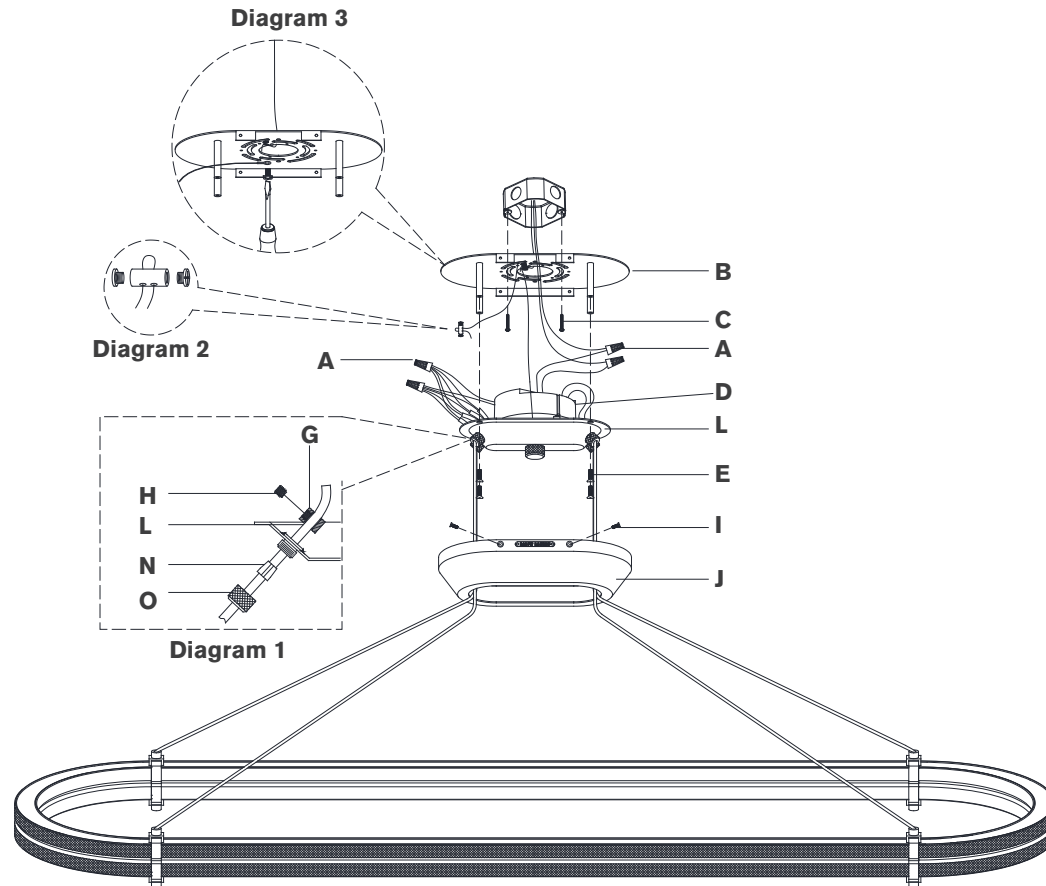
ASSEMBLY INSTRUCTIONS

Paxton 54" Oval Linear Chandelier

Item # RL5678

NOTICE:

This light fixture should be installed in accordance with all applicable, local installation codes, and by a person familiar with the construction and operation of it, as well as the hazards involved. Inspect item and contents carefully. If any damage or defect is found, do not install. Retain all packaging material until installation is complete and approved.



9. Remove outer housing of wire by making a neat cut all the way around, about 1" from the end. Once cut is made, remove and discard the 1" piece of housing, exposing the electrical wires.
NOTE: Make sure not to cut too deep into housing or electrical wires could become damaged.
10. Separate wires and strip insulation on each 5/8".
11. Run safety cable through hole on back of mounting plate **(B)**. Loosen cable lock and install to end of safety cable. Insert other end of cable through the cable lock and tighten ends with a screwdriver to secure. (see diagram 2)
12. Connect fixture neutral wires (black) to driver **(D)** output wire (black) using wire nut **(A)**.
13. Connect fixture hot wires (red) to driver **(D)** output wire (red) using wire nut **(A)**.
CAUTION: Do not reverse the hot and neutral connections.
14. Connect supply ground wire (usually green or bare copper) and filter ground wire around the green grounding screw (see diagram 3). Tighten.
NOTE: It is imperative that the fixture is grounded.
15. Connect filter input neutral wire (white) to the supply neutral wire (usually white) using wire nut **(A)**.

RALPH LAUREN

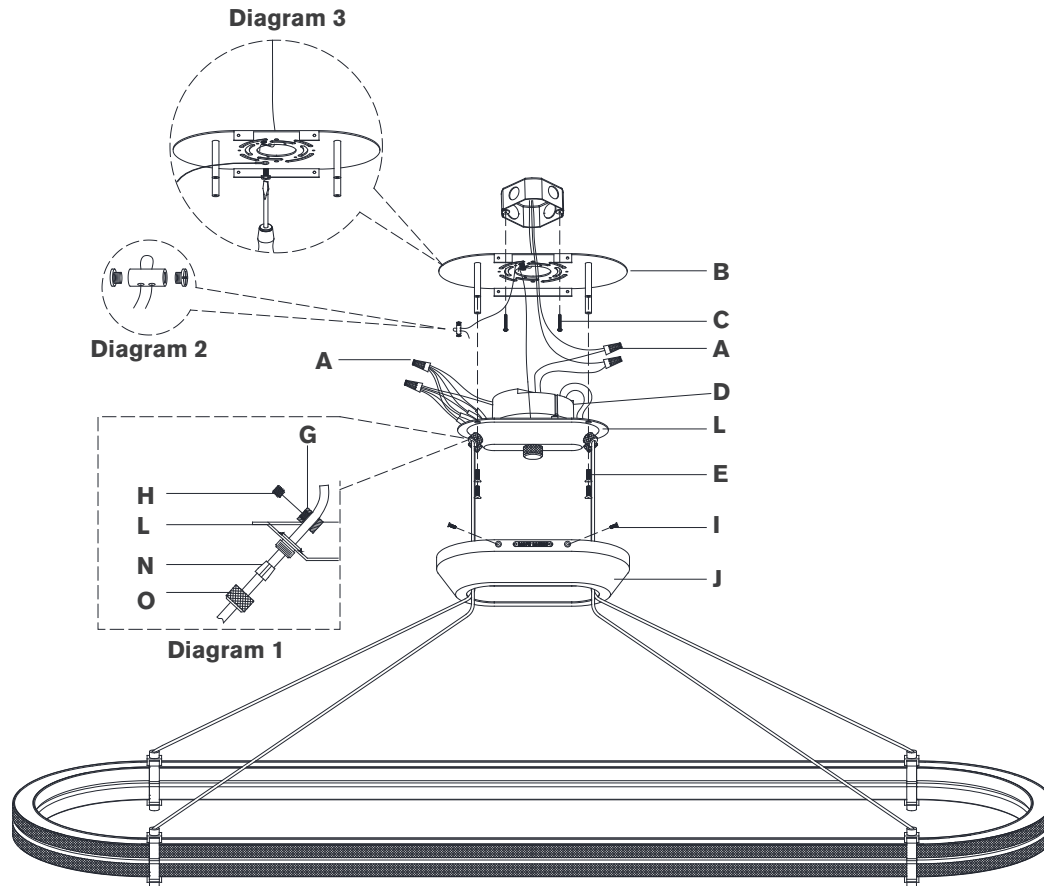
ASSEMBLY INSTRUCTIONS

Paxton 54" Oval Linear Chandelier

Item # RL5678

NOTICE:

This light fixture should be installed in accordance with all applicable, local installation codes, and by a person familiar with the construction and operation of it, as well as the hazards involved. Inspect item and contents carefully. If any damage or defect is found, do not install. Retain all packaging material until installation is complete and approved.



16. Connect filter input hot wire (black) to the supply hot wire (usually black) using wire nut **(A)**.

CAUTION: Do not reverse the hot and neutral connections.

17. Make sure all wire connections are tight, then carefully tuck into the junction box.

18. Install canopy bracket **(L)** to mounting plate **(B)** and secure with screws **(E)**.

19. Install canopy **(J)** to mounting plate **(B)** and secure with screws **(I)**.

20. To level fixture, unscrew knurled knob **(O)**, feed fixture wire through stopper **(N)** and then re-secure knurled knob **(O)**. Repeat as needed with other wires. (See diagram 2)

Care Instructions: Clean only with a soft dry cloth or feather duster. Do not use abrasive or chemical agents.

RALPH LAUREN

