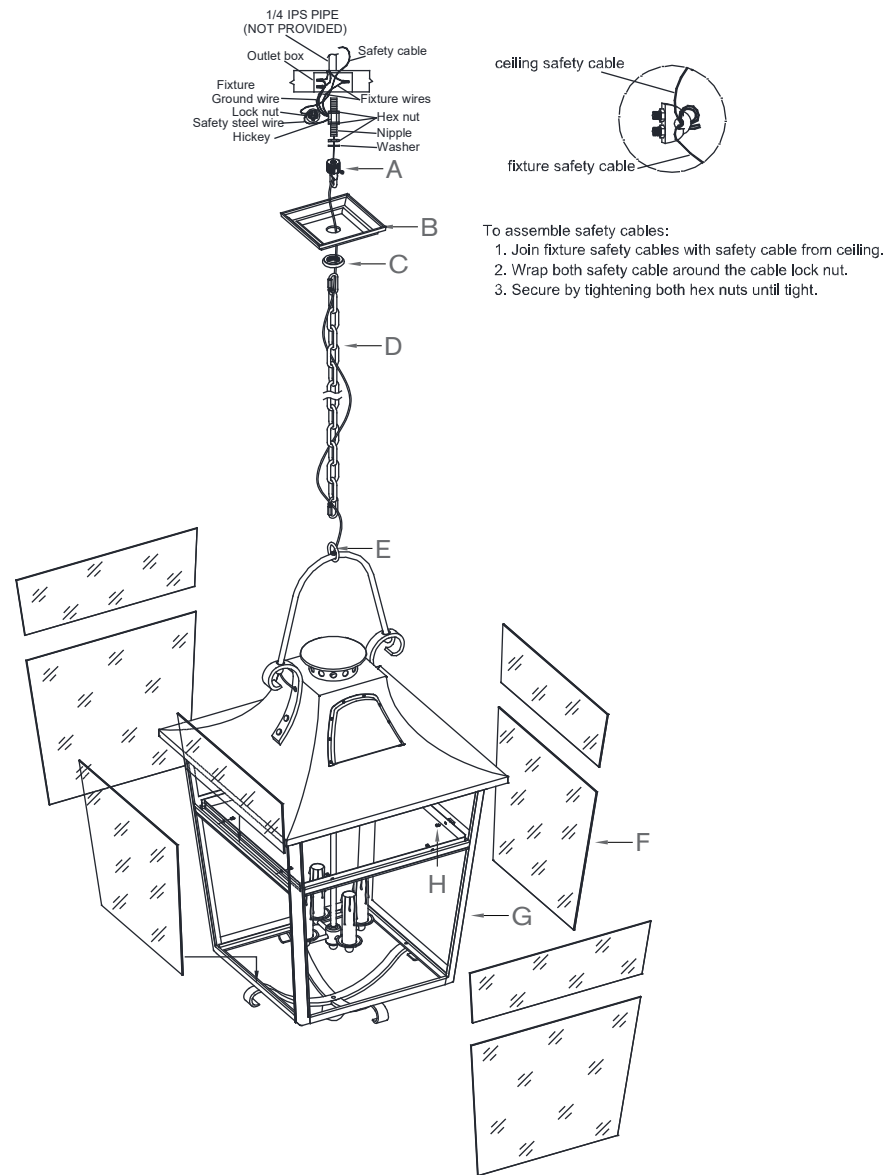


ASSEMBLY INSTRUCTIONS



Carrington Large Lantern

Item # RL 5735

NOTICE:

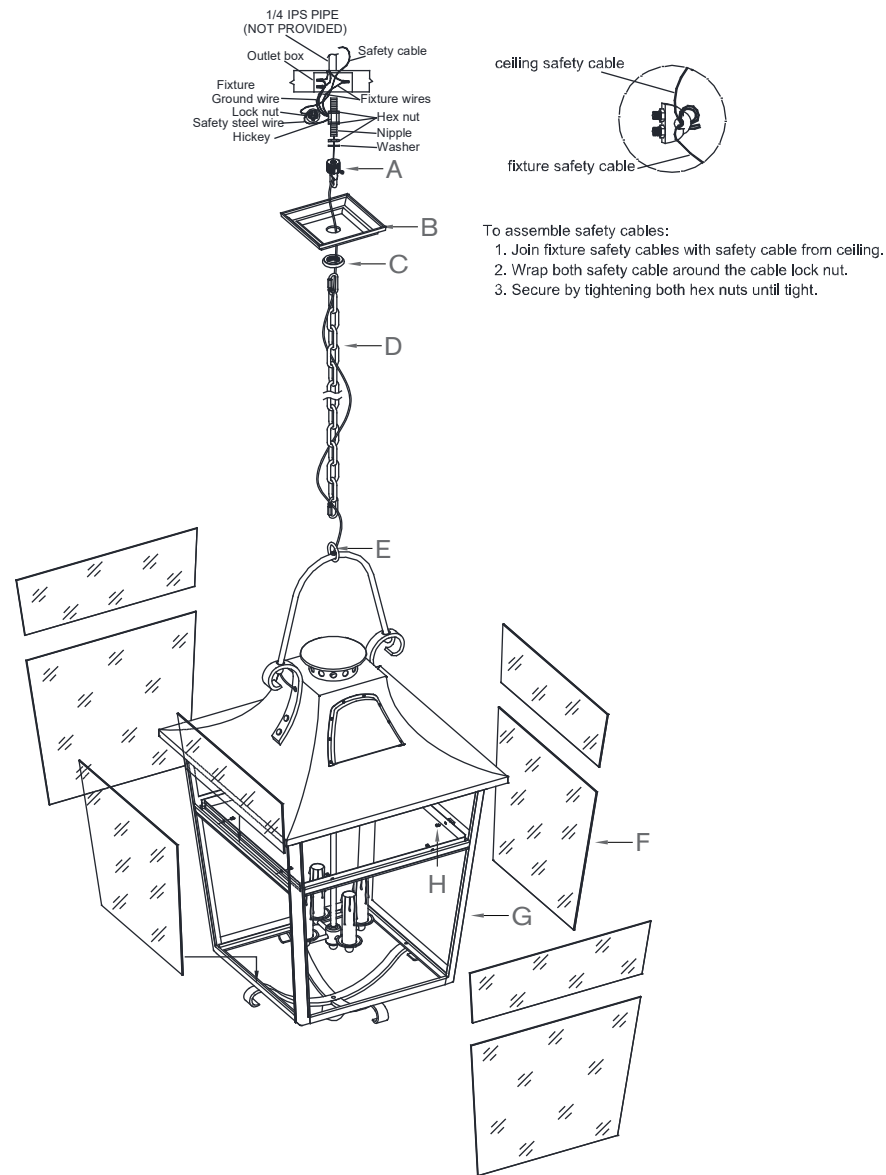
This light fixture should be installed in accordance with all applicable, local installation codes, and by a person familiar with the construction and operation of it, as well as the hazards involved. Inspect item and contents carefully. If any damage or defect is found, do not install. Retain all packaging material until installation is complete and approved.

1. Carefully remove all parts from the carton.
2. Provide a 1/4" IPS pipe with one end securely mounted to beam or a structure. The other end should protrude through the center of the outlet box as shown.
3. Loosen set screws (H), insert each glass panel (F) to the side frame of lantern box (G) and secure by tighten set screws (H).
4. Attach chain (D) to top loop (E) by opening/closing end link of chain.
5. Attach chain (D) to mounting loop (A) by opening/closing end link of chain.
6. Unscrew canopy ring (C) and slide canopy ring (C) and canopy (B) on the chain (D).
7. Insert top threaded nipple in mounting 1/4 IPS pipe.
8. Lace the fixture wires, ground wires and safety cable through the chain and mounting loop (A), exit through the side of hickey. Run the safety cable through the top of the outlet box and secure to structural member.
9. Attach fixture steel safety cable to structural member in the ceiling.
10. Attach the bare copper ground from the fixture to the ground junction box wire (usually green or copper), fasten together with a plastic wire connector. Tighten wrap the wire connector with electrical tape. Be sure no wire strands are exposed. IT IS IMPERATIVE THAT THE OUTLET BOX IN YOUR HOME BE PROPERLY GROUNDED.

RALPH LAUREN



ASSEMBLY INSTRUCTIONS



Carrington Large Lantern

Item # RL 5735

NOTICE:

This light fixture should be installed in accordance with all applicable, local installation codes, and by a person familiar with the construction and operation of it, as well as the hazards involved. Inspect item and contents carefully. If any damage or defect is found, do not install. Retain all packaging material until installation is complete and approved.

11. Connect neutral wire from fixture (ribbed molded wire) to the neutral wire from the junction box (usually white) . Fasten both wires together with a plastic wire connector and tightly wrap the wire connector with electrical tape. Be sure no wire strands are exposed.
12. Connect the hot wires from the fixture (smooth wire) to the hot wire (usually black) from the junction box. Fasten each together with a plastic wire connector and wrap the connection with electrical tape. **DO NOT REVERSE THE HOT AND NEUTRAL CONNECTIONS OTHERWISE SAFETY WILL BE COMPROMISED.**
13. Tuck wire connections neatly into ceiling outlet box.
14. Slip canopy (B) to ceiling and secure with canopy ring (C).
15. Insert light bulbs into sockets.
16. Restore power and test fixture. Installation is complete.

Care Instructions: Clean only with a soft dry cloth or feather duster. Do not use abrasive or chemical agents.

RALPH LAUREN

